

## GPS Marine Receiver GM-44



### Description

The GPS receiver has an integrated antenna. A fast cold start time of 42 s enables rapid operational readiness. A robust design and low power consumption make the device attractive for many applications. The solid metallic housing ensures a firm footing and a robust design. With a central screw, the device is quickly mounted.

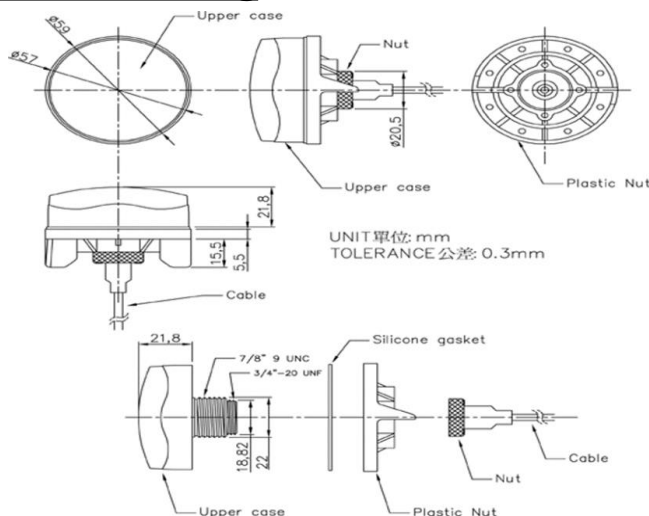
### Application

- GPS for land or sea navigation
- Applications in telemetry
- AVL Applications

## Specifications

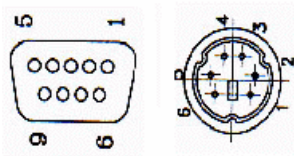
Specifications			
<b>Mechanical data</b>	(Diameter x H)	56mm x 28mm	
	Weight	85gram	
	Cable	3m	
	Mount	Central Screw	
	Case colour	White	
	Construction	Completely waterproof structure	
	<b>Environmental Conditions</b>	Operating Temp.	75°C ~ -30°C
Storage Temp.		85°C ~ -40°C	
<b>Communication</b>	Protocol	NMEA	
	Signal Level	RS-232	
<b>Interface Capability</b>	Standard Output	GGA, RMC, GSV, GSA	
<b>Performance</b>	Built-in antenna	H.-reliable ceramic patch	
	Sensibility	(-159 dBm)	
	SBAS	Support WAAS, EGNOS	
	Receiver Architecture	20 parallel channels	
	Start Time (Normal)		0,1 sec. (Hot start) / 35 sec. (Warmstart) /
			42 sec. (Cold start)
	Position Accuracy	10m 2D RMS	
	DGPS (WAAS,EGNOS)	<2.0 m	
	Velocity	518 m/S	
	Max. Height	18.000 m	
Update Rate	1 Hz		
Power Supply	5V internal with 8V ~ 35V Adapter or 8V ~ 35V direct		
Current Consumption	100mA Acquisition / 80mA Tracking		
Baud Rate	4800 bps (Standard)		

## Technical Drawing



DB09 Female

DIN-6PIN



pin1=n/c	pin1=n/c
pin2=TXA	pin2=GND
pin3=RXA	pin3=n/c
pin4=n/c	pin4=n/c
pin5=GND	pin5=+5VDC
pin6=n/c	pin6=n/c
pin7=n/c	
pin8=n/c	
pin9=n/c	

Standard Verbindungen für GM-44S-RS232.