

GPS Marine Receiver, GM-44UB



Description

- Integrated antenna
- 1 Hz update-rate
- Baud Rate 4800
- Fast cold-start time of 42s
- Low power consumption 80mA
- Robust structure
- Metallic base to enhance the grounding
- SBAS (WAAS, EGNOS, RTCM)
- 1 Channel
- Chipset "u-blox 7"
- Waterproof
- Low-profile
- Central Screw Mount
- Robust construction
- High sensitivity
- Interface RS-232

Application

- Navigation and positioning at sea
- Navigation and positioning in other harsh environments.
- Timing and positioning in unmanned measuring stations, etc.
- In-vehicle navigation for public services
- Fleet Management GPS System

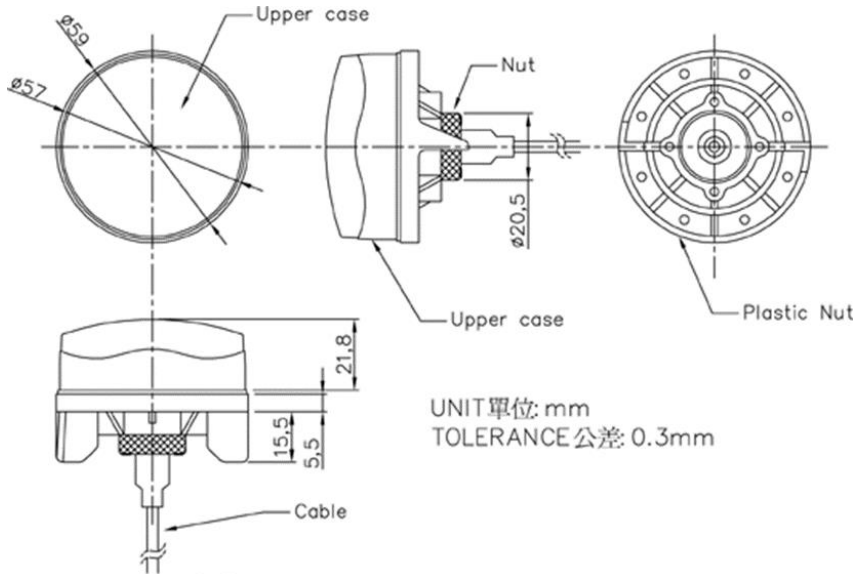
Specifications

Specifications		
Mechanical data	(Diameter x H)	56mm x 28mm
	Weight	87gram
	Cable	5m (Standard)
	Mounting	Central screw
	Case colour	White
	Construction	Fully waterproof structure
	Environmental conditions	Operating temperature
Storage temperature		85°C ~ -40°C
Communication	Protocol	NMEA, UBX binary
	Interface	RS-232
NMEA Sentences	Initial Sentences	GGA, RMC, GSV, GSA, VTG
Performance	Built-in antenna	H.-reliable ceramic patch
	Sensitivity	(-150 dBm)
	SBAS	Support WAAS, EGNOS
	Architecture	50 parallel channels
	Start-up time (typical)	1 sec. (hot start) / 32 sec. (warm start) / 32 sec. (cold start)
	Position Accuracy	10m 2D RMS
	DGPS (WAAS,EGNOS)	<2.0 m
	Velocity	0.1 m/S
	Update Rate	1 Hz to 4 Hz selectable
	Power	5V internally with 8V~35V adapter, or 8V~35V directly
	Electricity consumption	70 mA Acquisition / 63 mA Tracking
	Baud Rate	4800 bps (Standard) selectable to 115200 bps

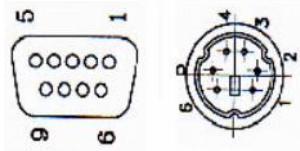
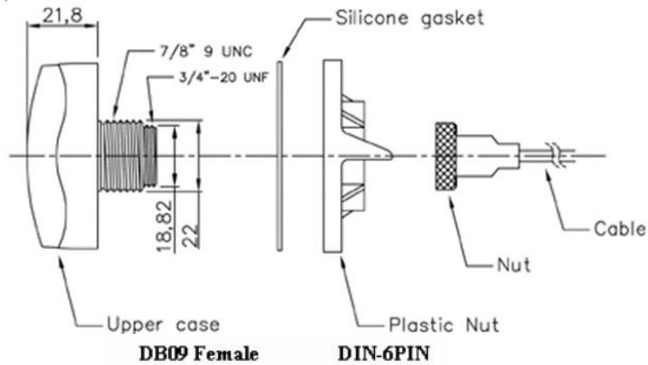
Shipment:

- Receiver
- Cable with DB-9 connector
- Software CD
- 8V ~ 35V Direct or via Cigar-Adapter (depends on version)

Technical drawing



UNIT單位: mm
TOLERANCE公差: 0.3mm



<u>pin1 = n/c</u>	<u>pin1 = n/c</u>
<u>pin2 = TXA</u>	<u>pin2 = GND</u>
<u>pin3 = RXA</u>	<u>pin3 = n/c</u>
<u>pin4 = n/c</u>	<u>pin4 = n/c</u>
<u>pin5 = GND</u>	<u>pin5 = +5VDC</u>
<u>pin6 = n/c</u>	<u>pin6 = n/c</u>
<u>pin7 = n/c</u>	
<u>pin8 = n/c</u>	
<u>pin9 = n/c</u>	

Standard Connections for **GM-44UB-RS232**